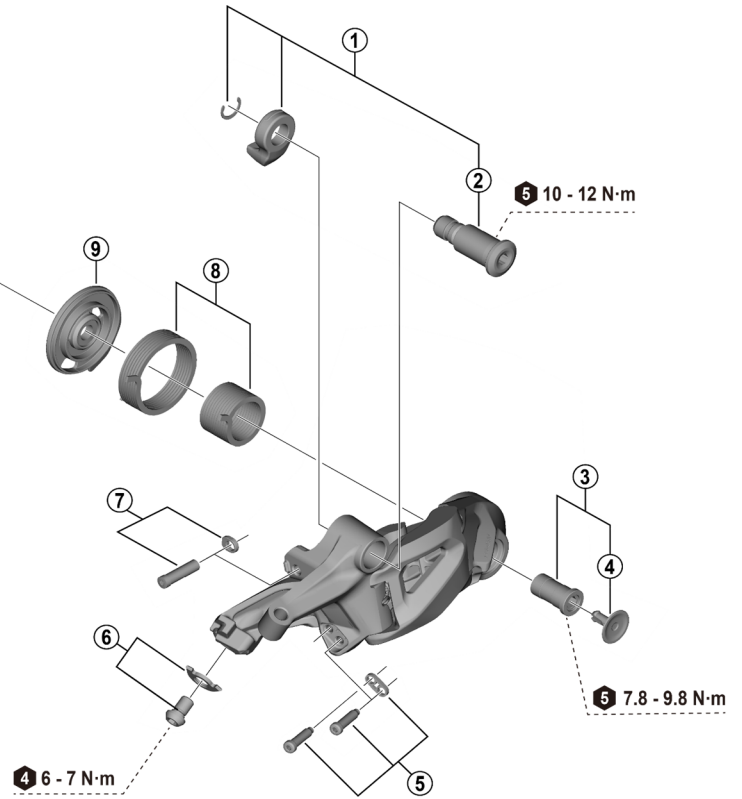
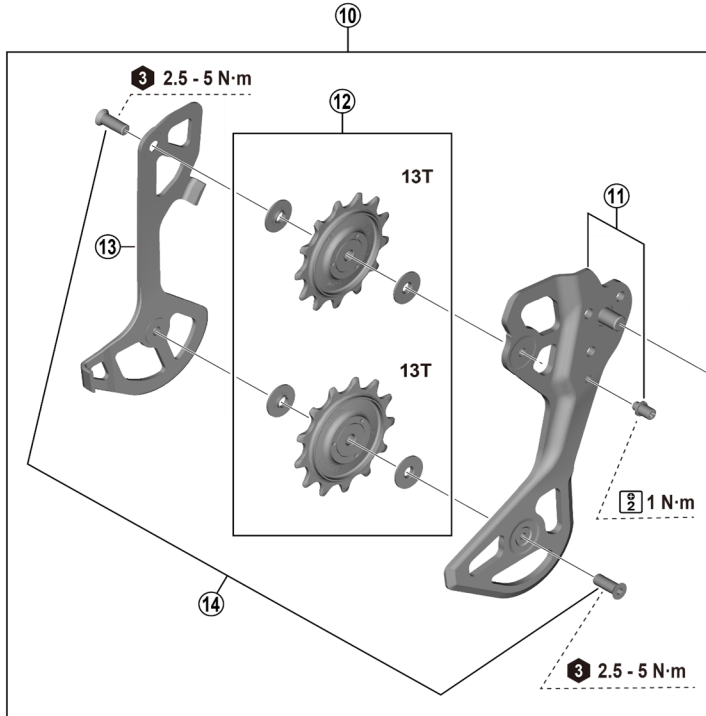


DEORE XT Rear Derailleur (12-speed)

RD-M8200-GS RD-M8200-SGS



- 3** 3 mm hexagon wrench
- 4** 4 mm hexagon wrench
- 5** 5 mm hexagon wrench
- 2** Cross head screwdriver [#2]

RD-M8250-SGS
RD-M8230
RD-M7200

ITEM NO.	SHIMANO CODE NO.	DESCRIPTION	INTERCHANGEABILITY		
				A	B
1	Y3L198010	B-axle unit		A	B
2	Y3L19801T	B-axle		A	B
3	Y3KA98070	Plate axle and cap	A	A	A
4	Y3K79803T	Plate axle cap	A	A	A
5	Y3L198020	Stroke adjusting screws and plate		A	A
6	Y3FW98060	Cable fixing screw and plate		A	A
7	Y3L198030	End adjust screw and plate		A	A
8	Y3K798070	Plate tension spring unit	A	A	A
9	Y3K79805T	Plate bumper (GS)	A		
	Y3L19802T	Plate bumper (SGS)		A	A
10	Y3L198040	Plate unit (GS)			
	Y3L198050	Plate unit (SGS)			B
11	Y3L198060	Outer plate assembly (GS)			
	Y3L198070	Outer plate assembly (SGS)		A	B
12	Y3KA98030	Pulley set	A		B
13	Y3L19803T	Inner plate (GS)			
	Y3L19804T	Inner plate (SGS)		A	B
14	Y3FW98090	Pulley screw (2 pcs.)	A	A	B

A: Same parts.

B: Parts are usable, but differ in materials, appearance, finish, size, etc.

Absence of mark indicates non-interchangeability.

Specifications are subject to change without notice.

Torque information is listed.

Jul.-2026-5141

© Shimano Inc. I

SHIMANO



quefairedemesdechets.fr