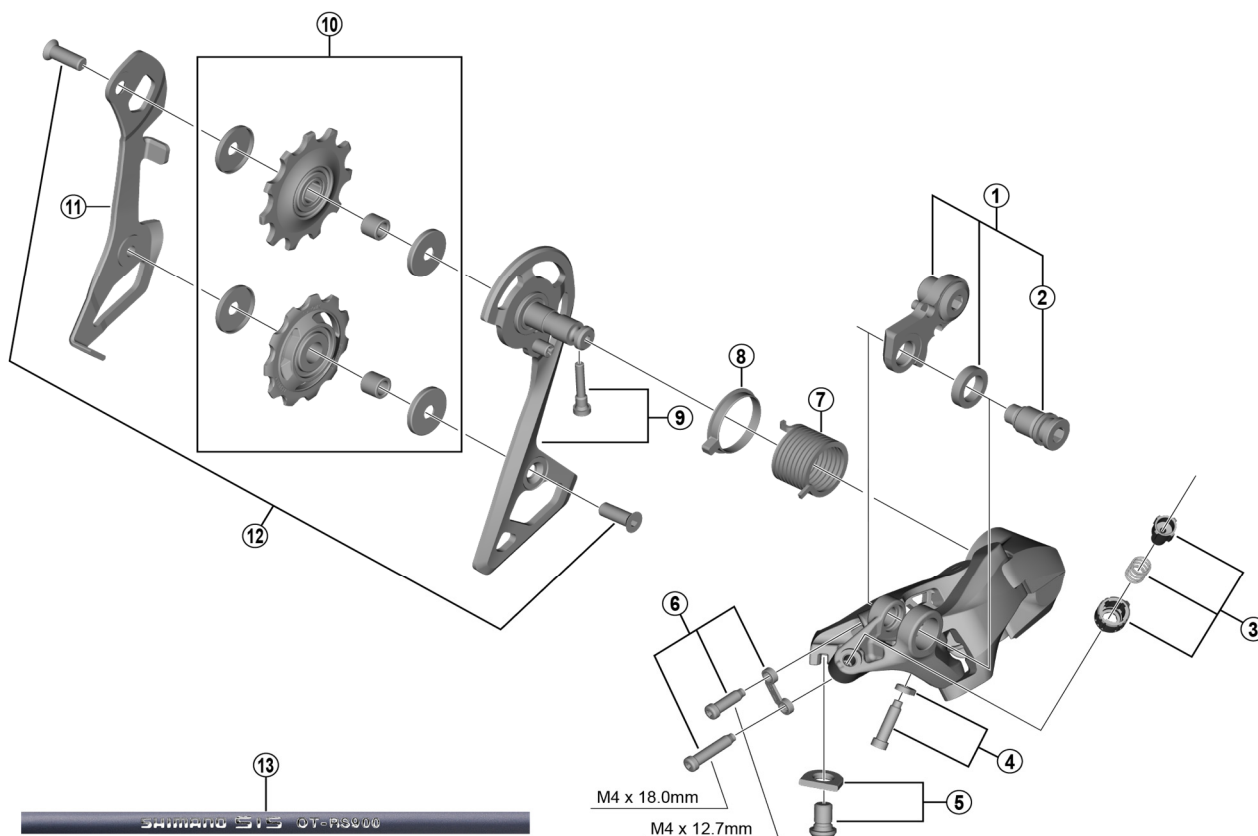


SHIMANO 105 Rear Derailleur (11-speed) RD-R7000-SS Black / Silver



RD-R8000-SS

ITEM NO.	SHIMANO CODE NO.	DESCRIPTION	INTERCHANGEABILITY
1	Y3F398020	Bracket Axle Unit (for normal type)	B
2	Y3F358000	B-Axle 2 (for Direct Mount type)	
3	Y3F398030	Cable Adjusting Bolt Unit	B
4	Y5ZR98040	End Adjusting Bolt (M4 x 15) & Plate	B
5	Y3F398040	Cable Fixing Bolt & Plate	
6	Y3E998060	Stroke Adjusting Bolts & Plate	A
7	Y5PV17000	P-Tension Spring	A
8	Y5PV24000	P-Seal Ring	A
9	Y3F398050	Outer Plate & Fixing Bolt	
10	Y3F398010	Tension & Guide Pulley Set	B
11	Y3F306000	Inner Plate	B
12	Y5V598140	Pulley Bolt (2 pcs.)	A
13	Y0BM98011	OT-RS900 (Black) 240 mm x 10 pcs. (with Sealed Outer Cap & Outer Cap with Long Tongue)	A
	Y0BM98021	OT-RS900 (White) 240 mm x 10 pcs. (with Sealed Outer Cap & Outer Cap with Long Tongue)	A
	Y0BM98031	OT-RS900 (Red) 240 mm x 10 pcs. (with Sealed Outer Cap & Outer Cap with Long Tongue)	A
	Y0BM98041	OT-RS900 (High-tech gray) 240 mm x 10 pcs. (with Sealed Outer Cap & Outer Cap with Long Tongue)	A

A: Same parts.

B: Parts are usable, but differ in materials, appearance, finish, size, etc.

Absence of mark indicates non-interchangeability.

Specifications are subject to change without notice.

Jun.-2018-4339A

© Shimano Inc. I

SHIMANO