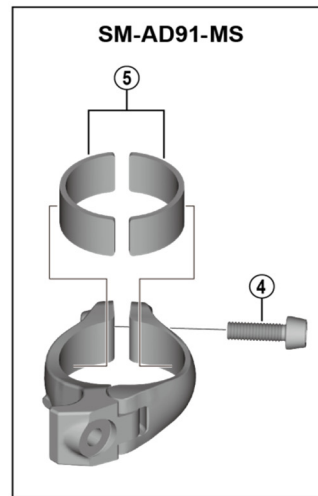
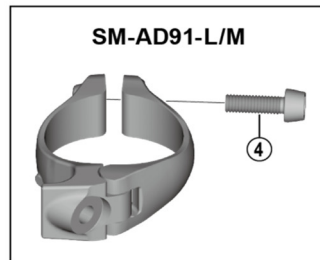
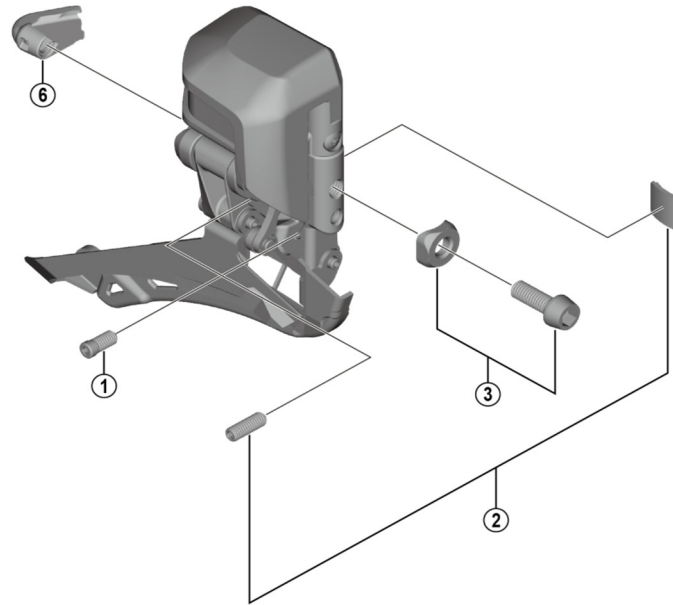


# ULTEGRA Front Derailleur FD-R8050 (2x11-speed)



ITEM NO.	SHIMANO CODE NO.	DESCRIPTION
1	Y5P6001D0	Adjust Bolt
2	Y5ZW98010	Support Bolt & Plate
3	Y2C198010	Clamp Bolt & Radius Washer
4	Y5ZS39000	Clamp Bolt (M5 x 17)
5	Y5P198030	Clamp Band Adapter Unit for S-size / Diameter 28.6 mm (1-1/8")
6	Y5ZW00031	Plug Cover

Jun.-2019-4250B  
© Shimano Inc. I

Specifications are subject to change without notice.

# SHIMANO