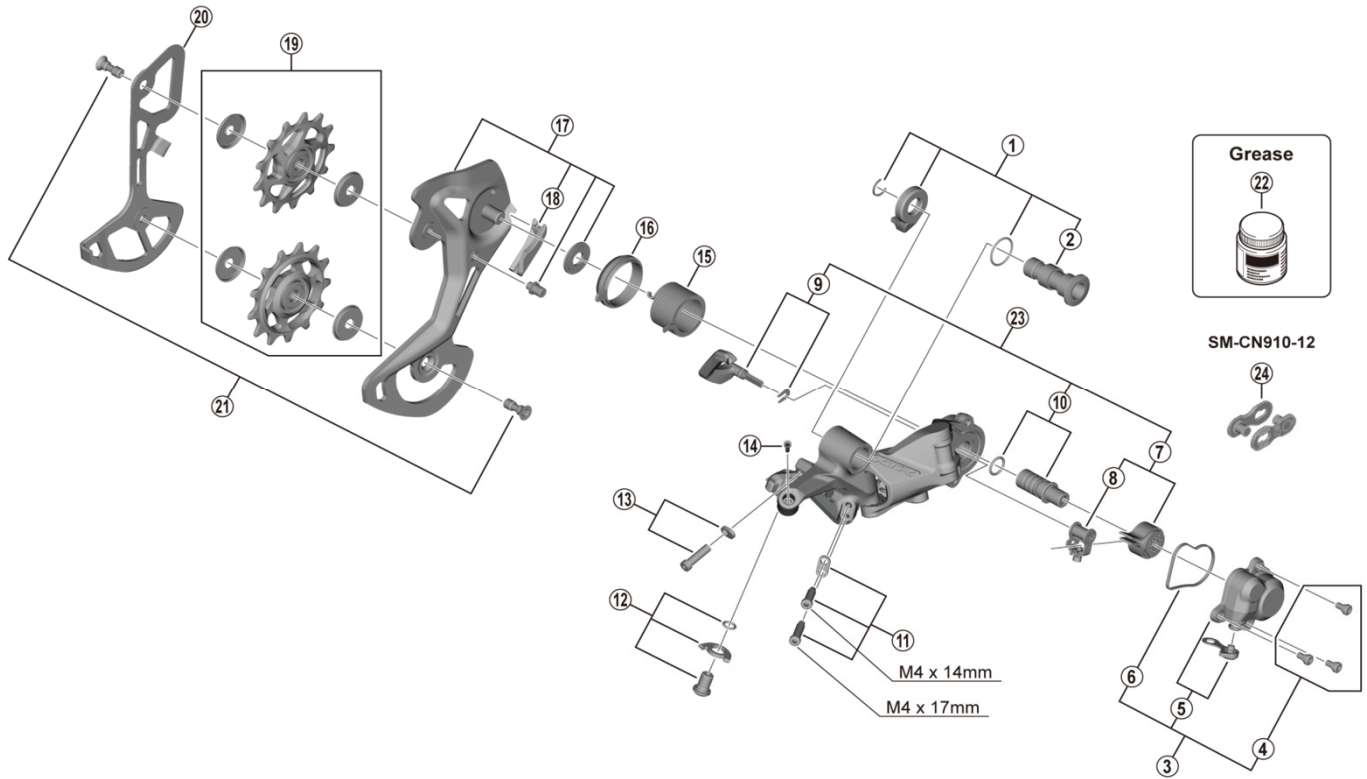


XTR Rear Derailleur
RD-M9100-GS 12-speed
RD-M9100-SGS 12-speed



RD-M9000

ITEM NO.	SHIMANO CODE NO.	DESCRIPTION	INTERCHANGEABILITY
1	Y3FA98010	Bracket axle unit	
2	Y3FA42000	B-axle	
3	Y3FA98020	P-cover unit	
4	Y5Y198070	P-cover screw set (3 pcs.)	A
5	Y3FA98030	P-cover and cap	
6	Y3FA63000	P-cover packing	
7	Y3GF98040	Stabilizer unit and cam unit	A
8	Y3E498040	Cam unit	A
9	Y3FA98040	Switch lever unit and fixing plate	
10	Y5PV98060	P-axle and O-ring	A
11	Y3FA98050	Stroke adjusting screws and plate	
12	Y3FA98060	Cable fixing screw unit	
13	Y5PV98070	End adjust screw (M4 x 14.1) and plate	A
14	Y5PV48000	Cover with tongue	A
15	Y3FA55000	P-tension spring	
16	Y3FA62000	P-seal ring	
17	Y3FA98070	Outer plate assembly (GS)	
	Y3FA98080	Outer plate assembly (SGS)	
18	Y3FA59000	Bumper	
19	Y3FA98090	Tension and guide pulley set	
20	Y3FA16000	Inner plate (GS)	
	Y3FA26000	Inner plate (SGS)	
21	Y5XX98130	Pulley screw (2 pcs.)	A
22	Y04121000	New grease for stabilizer (Net. 50 g)	A
* 23	Y3FA98100	Stabilizer kit unit	
* 24	ISMEN91012A	SM-CN910-12 QUICK-LINK	

A: Same parts.

B: Parts are usable, but differ in materials, appearance, finish, size, etc.

Absence of mark indicates non-interchangeability.

Specifications are subject to change without notice.

Apr.-2021-4387E

© Shimano Inc. I

SHIMANO